

# 5000/5100

## T&A DATA TERMINAL

Control Your  
Control Your  
Environment  
Environment



ISE CO. LTD.



- Powerful Networking Ethernet 100 BaseT, RS232, RS485
- 1~8MB for Data Memory with backup battery
- 8 Digital I/O for external device monitoring
- Validation table to control valid ID
- Display name or employee number instead of card ID during card swiping
- OCX component supports TCP/IP, RS232 and Modem communication
- DLL supports TCP/IP, RS232 and Modem communication
- Setup, validation Table Download and Data Collection Software

**CIPHER LAB**

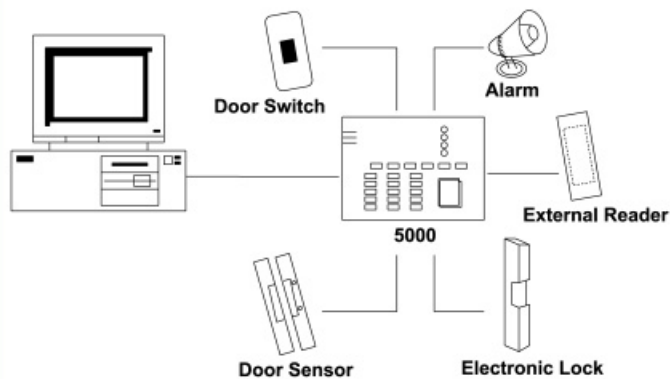
# 5000/5100 T&A DATA TERMINAL

## Specifications

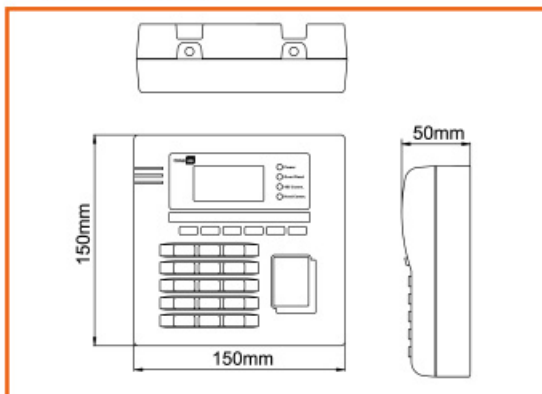
Electrical	Voltage	12V +/- 5% DC
	Power Consumption	Operating 50mA / All card devices attached and with battery charging status 200mA
Environmental	Temperature	0° ~ 45° C (operating) / -20° ~ 60° C (storage)
	Humidity	20%~90% non-condensing (operating) / 10%~90% non-condensing (storage)
Physical	Weight	1.6Kg maximum including backup batteries
	Housing	ABS plastic
	Color	Black
	Dimensions	150mmx150mmx50mm (LxWxH)
Indicator	Buzzer	Programmable, 1KHz to 4KHz
	LCD display	128 X 64 Graphics dots FSTN with LED back-lit show 8 X 4 lines Chinese Characters
	LED	4 color LEDs
Memory	Program Memory	1 MB Flash memory
	Data Memory	256 KB SRAM on-board
	Optional Cards	Memory card from 1MB to 8MB available (1/2/4/6/8)
	CPU	16 bit CPU running at 22.1184MHz
Input Device	Built-in RFID Reader	Mifare or EM
	External Reader Ports	1 External reader port available, can be used to attach TTL RS232 reader
	Built-in Keypad	Back-lit rubber keyboard with 21 keys including 6 function keys
	External Keyboard	PS2 Type through Mini-Din connector (Optional)
Battery	Operation Battery Control	The battery voltage can be monitored. An on-board self-shutdown circuit is included to prevent over-discharge of battery
	Backup Battery	7.4V, 2000mAh Lithium-ion battery (Optional)
Calendar	System Clock	Calendar chip with battery back-up
Digital	Input /Output	Up to 4 digital inputs & 4 digital outputs are available
Input/Output	Types of Input	Photo-coupler can be used to monitor external devices
	Types of Output	Relay output can be used to control external devices such as alarm, door lock switches etc.
Communication Ports	Standard	RS232 or RS485
	Optional Cards	TCP/IP cards 10/100 BaseT
Safety & Regulatory Approvals		FCC Class-A, CE, C-Tick

## Networking Architecture

### 5000 System Diagram

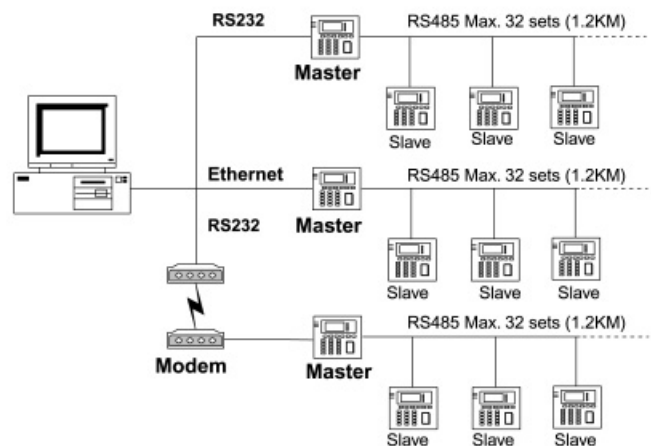


### Dimensions



### 5100 System Diagram

Up to 255 stations (using repeaters)



#### Headquarters

Syntech Information Co., Ltd.  
12F, 333 Dunhua S. Rd., Sec. 2  
Taipei, Taiwan 106  
TEL: +886 2 8647- 3300  
FAX: +886 2 8732- 3300  
www.cipherlab.com.tw

#### USA

Syntech West Inc.  
3404 57th Street NW Suite B  
Gig Harbor, WA 98335  
U.S.A.  
TEL: +1 253 858 7906  
FAX: +1 253 858 7713  
www.cipherlab.com

